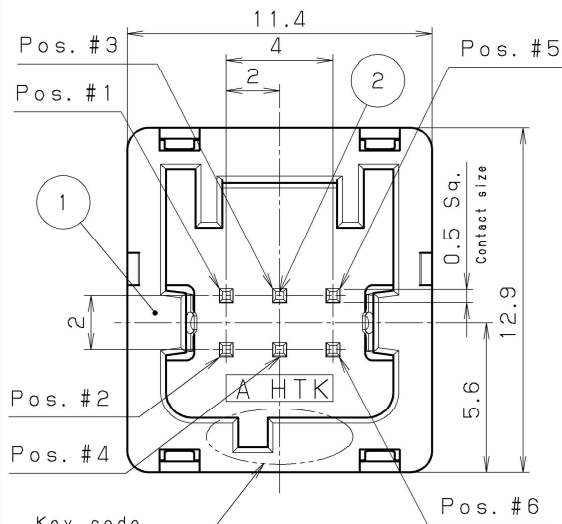


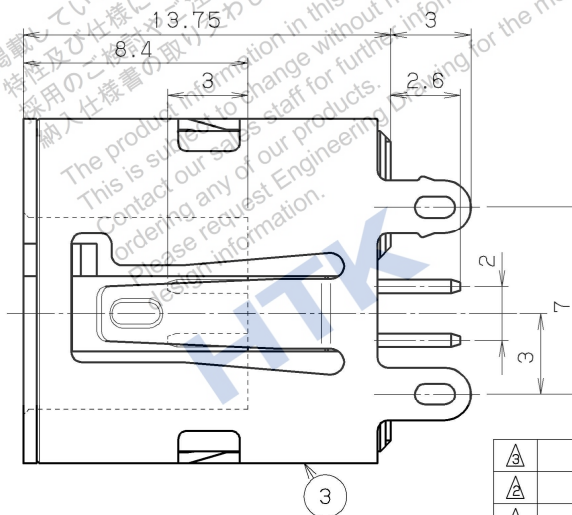
Date code
Marking

Table 1: Housing color and key code

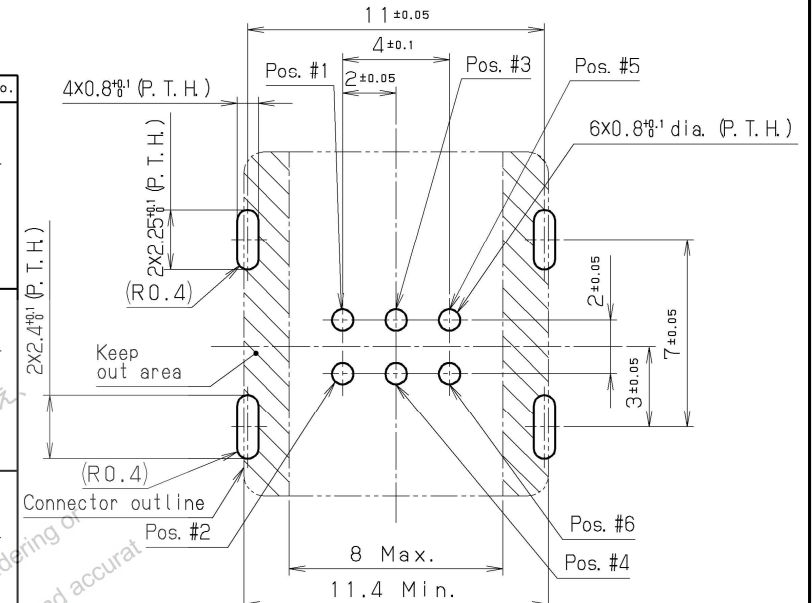
Part no.	Insulator color	Key code	Mating plug part no.
TAK-V6MDGBA-AF+	Black		TAK-A6SFCGB-A () +
TAK-V6MDGAA-BF+	Blue		TAK-A6SFCGA-B () +
TAK-V6MDGCA-CF+	Brown		TAK-A6SFCGC-C () +



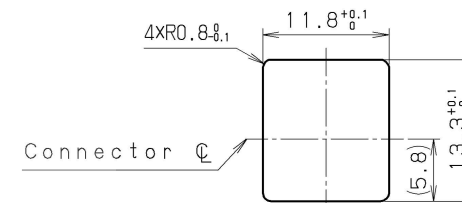
Key code
See table #1



RoHS compliant



Recommended P.C.B layout
P.C.B thickness: 1.2mm~1.6mm
(Connector side)



Panel opening size
(Recommended panel thickness: 1.0mm)

Note

- Contact plating
Contact area: Gold (0.1 to 0.5 μm)
Termination area: Gold (0.03 to 0.5 μm)
Underplating: Nickel

LTR.	DATE	BY	REV.	DESCRIPT	No.	PART NAME	MATERIAL	QTY	FINISH	NOTE
					3	Shell	Stainless steel	1	Nickel plating	
					2	Contact	Copper alloy	6	See note #1	
					1	Insulator	PBT	1		
DATE						SCALE	UNIT	3RD. A. P		
Apr. 23. 2015						5/1	mm (INCH)			
APP. DATE&REV.										
DR.	DE.	CHK.	CHK.	APP.	NAME		6 pos. board receptacle connector (RoHS)			
T. KAWANO	T. KAWANO	H. AIZAWA		S. FURUSAWA	PART NO.	TAK-V6MDG () A - () F+				
						REV.				